

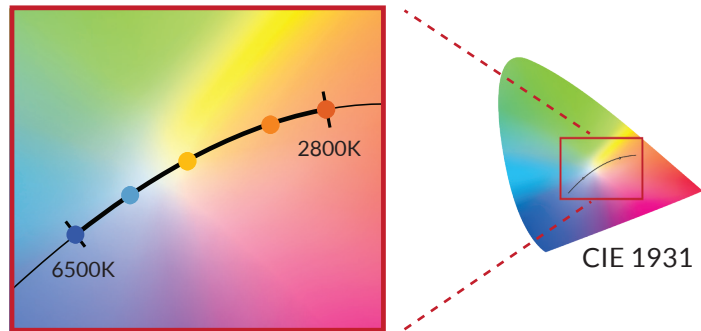
FEATURES

- 2800 - 6500K continuous CCT tuning
- 300W tungsten output (90W draw)
- High CRI values at every color temperature
- Does not emit UV light/radiation
- Dims to 0% without flicker or color shift
- Precise color calibration for consistent quality
- OLED display for monitoring settings
- Quiet and cool to the touch
- Water and dust resistant (IP-24)
- Ergonomically designed
- Versatile mounting
- Optional light modifiers available

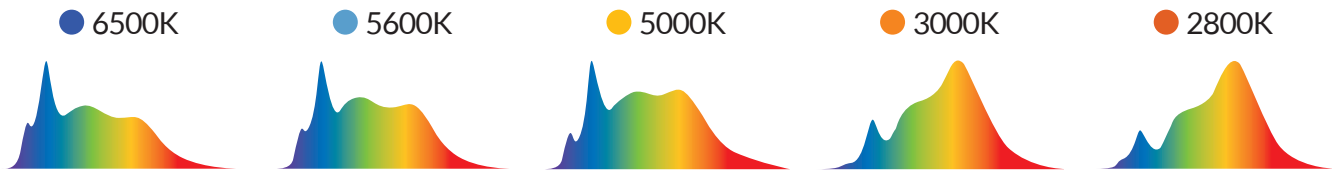


COMPREHENSIVE COLOR CALIBRATION

ensures cinema-caliber precision and light quality at all settings



MULTI-PHOSPHOR SPECTRUM for excellent color rendering

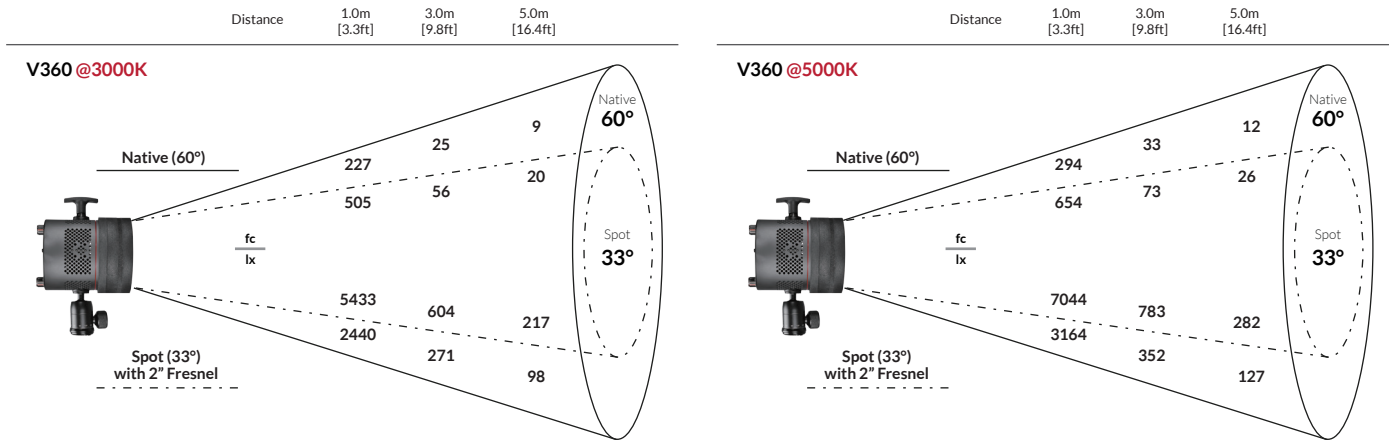


Industry-leading CRI scores on difficult color samples (R9, R12)

CCT	R1	R2	R3	R4	R5	R6	R7	R8	R9	R10	R11	R12	R13	R14	R15	CRI _{Ra} *	CRI _{Ext} *	TLCI
3000K	99	99	95	98	98	97	98	97	93	95	98	86	99	96	98	98	96	97
5000K	98	99	98	95	96	96	97	96	93	96	96	85	99	98	97	97	96	98
6500K	97	98	98	94	95	96	96	95	89	95	94	84	98	99	96	96	95	97

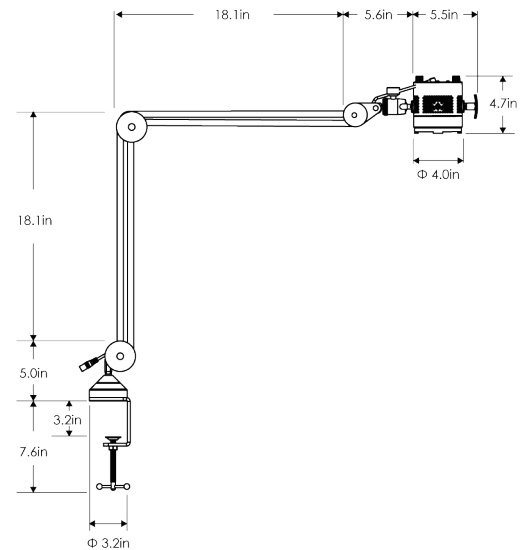
*CRI_{Ra} is the averaged result of R1 to R8; CRI_{Ext} is the averaged value of R1 to R15. Typical values shown.

PHOTOMETRIC DATA



SPECIFICATIONS

Beam Angle	60° (33° with 2" Fresnel)
CCT Range	2800 - 6500K Continuous Tuning
CRI	96 Typical
Dimming	100% - 0% Flicker Free
Light Engine	Dense Matrix LED
Power Draw	90W Max
DC Input	12 - 30V DC
AC Input	100 - 240V AC, 50 ~ 60Hz
DMX Control	2-CH (Intensity, CCT) via TRRS Ports
Display Type	OLED
Weight	7.5lb / 3.4kg
Light Size (L x W x H)	5.5in x 4.0in x 4.7in / 14.0cm x 10.2cm x 12.0cm
Arm Size	Fully Extended: 36.2in / 91.9cm Base: W 3.2in x H 7.6in / W 8.1cm x H 19.3cm
Mount Style	Table Mount (0 - 2.8in Gap) Base Adapter (Fits Baby 5/8" & Junior 1-1/8" Studs)
Thermal Design	Advanced Vapor Cooling System (Fan Cooled)
Acoustic Noise	22.7dB (Professional Recording Studio Level)
Operating Temperature	32 - 104°F / 0 - 40° C



OPTIONAL ACCESSORIES



2" Fresnel
TRA002



Snoot
TRA004



Dome Diffuser
TRA003



Honeycomb-N
TRA006N



Honeycomb-W
TRA006W



Louver
TRA005



Gel Holder
FLXA008



Base Adapter
FLXA094