

The **Q8 Color** is a 320W 8" LED Fresnel that generates high-quality full-color light output. This fixture uses the latest iteration of Fiilex's Dense Matrix LED technology to deliver color fidelity and optical versatility that are superior to previous generations of LED fresnels. With an extremely wide spot/flood range, smooth dimming to 0%, no flicker, and high CRI, the Q8 Color combines the extensive feature set of top-tier RGBW LEDs with the performance of a tungsten fresnel.

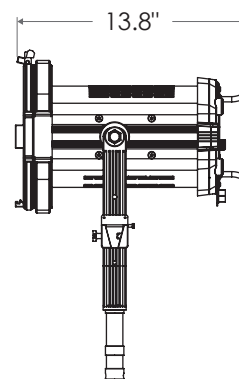
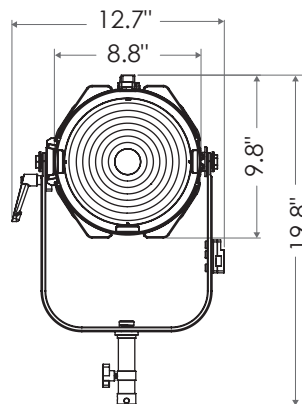
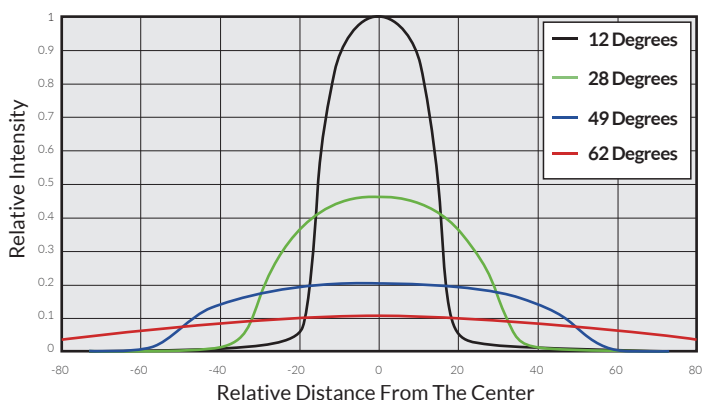
Various color control modes, including CCT, HSI, Gels, and Effects, are accessible via the fixture's control pad. All modes support 8 and 16 bit DMX.



## FEATURES

- High-CRI white light output (2000-10000K)
- Additional 8 and 16 bit color modes: HSI, Effects, RGBW, Gels, CCTHSI, CIExy, etc.
- 12°-62° spot/flood range with no optical aberrations
- 8-leaf barndoor cuts clean with no color splitting
- Smooth and Sharp dimming modes
- Four fan speed modes: Full, Variable, Silent, Off
- IP-X5 Rating (water-resistant)
- Compatible with industry standard softboxes via speed ring accessory

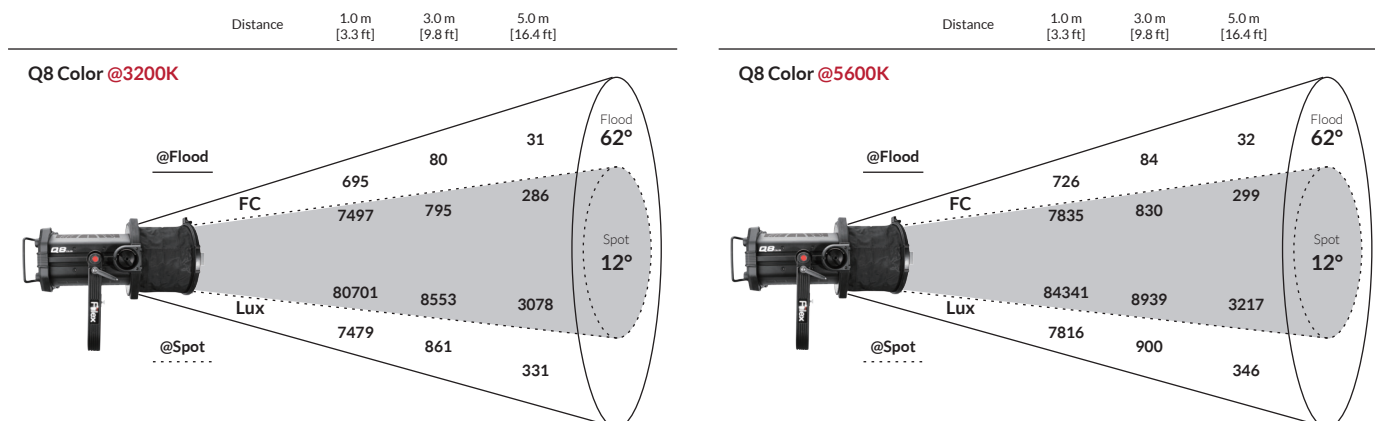
## BEAM PROFILE



### SPECIFICATIONS

Fresnel Diameter	8"
Beam Angle	12°- 62°
CCT Range	2000-10000K continuous tuning + magenta/green shift
CRI	95 typical
TLCI	90 typical
Control Modes	CCT, HSI, RGBW, Gels, Effects, CCTRGBW, CCTHSI, CIExy, ICTHS
Dimming	100 - 0% flicker free
Dimming Modes	Smooth, Sharp
Light Engine	1x 300W DiCon Dense Matrix LED
Power Consumption	320W max AC   300W max DC
DC Input	48V DC
AC Input	100 - 240V AC, 50 ~ 60Hz
Power Port	XLR-3
DMX Port	XLR-5
Weight	Fixture: 17 lbs / 7.7kg (includes yoke)   Power adapter: 4.8 lbs/2.2kg
Size (L x W x H)	13.8" x 12.7" x 19.8" / 35.3cm x 32.3cm x 50.3cm
Mount Type	Combo (baby stud female / junior stud male)
IP Rating	IP-X5 (water-resistant)
Thermal Design	Aluminum extrusion cooling system w/ fan
Operating Temperature	32 - 104°F / 0 - 40°C

### PHOTOMETRIC DATA



### OPTIONAL ACCESSORIES



Q8 Speed Ring



DC Jumper Cable, 6 ft